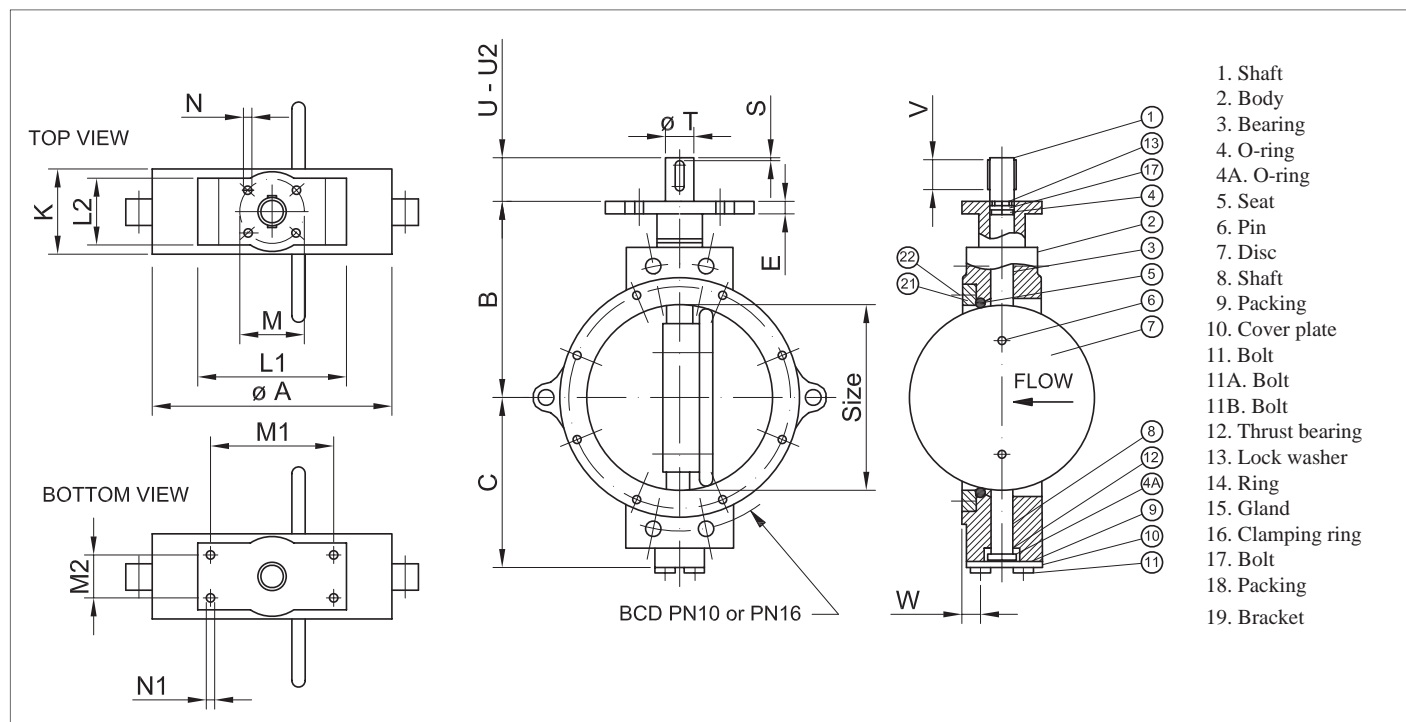


# Nordtec Butterfly Valves



# Nordtec Butterfly Valves



1. Shaft
2. Body
3. Bearing
4. O-ring
- 4A. O-ring
5. Seat
6. Pin
7. Disc
8. Shaft
9. Packing plate
10. Cover plate
11. Bolt
- 11A. Bolt
- 11B. Bolt
12. Thrust bearing
13. Lock washer
14. Ring
15. Gland
16. Clamping ring
17. Bolt
18. Packing
19. Bracket

DN																				PN10	PN16	
MM	Inch	A	B	C	E	K	L1	M	N	S	ØT	U	V	W	L2	M1	M2	N1	U2	KG	BCD	BCD
300	12	376	305	260	20	114	190	135	14	5	40	60	50	30	-	160	40	14	105	78	400	410
350	14	423	345	290	20	127	190	135	14	5	40	60	50	30	190	160	40	14	105	106	460	470
400	16	470	380	325	20	140	210	165	22	5	50	60	50	40	100	214	60	18	125	151	525	525
450	18	530	400	345	20	152	210	165	22	5	50	60	50	30	100	214	60	18	125	170	565	585
500	20	582	455	380	25	152	210	165	22	5	55	70	63	30	100	214	60	18	130	220	620	650
550	22	620	490	410	25	152	210	165	22	5	55	70	63	30	100	214	60	18	130	270	-	-
600	24	690	525	445	25	178	300	254	18	5	70	85	70	45	100	214	60	18	140	335	725	770
690	26	730	550	472	30	178	300	254	18	5	70	85	70	30	100	214	60	18	140	405	-	-
700	28	794	576	490	30	229	350	298	22	5	80	85	70	35	155	240	100	26	165	475	840	840
750	30	860	615	520	30	229	350	298	22	5	80	85	70	35	155	240	100	26	165	565	-	-
800	32	890	655	530	30	241	350	298	22	5	80	85	70	35	155	240	100	26	165	640	950	950
900	36	990	705	570	30	241	350	298	22	5	100	105	90	35	180	277	115	33	180	800	1050	1050
1000	40	1090	780	640	30	300	350	298	22	5	100	105	90	40	180	277	115	33	180	1000	1160	1170
1200	48	1305	890	760	30	350	415	356	32	5	110	105	90	40	180	277	115	33	180	1680	1380	1390

Standard delivery			When requested		Shaft
Standard Working/testpressure			Max. Working/testpressure bar	Max. Test pressure bar	(one piece)
Size	Working pressure bar	Test pressure bar			
300	PN10	11	PN16	18	Yes
-	-	-	PN25 (Size 300)	28	Yes
350-550	PN10	11	PN16	18	Yes
-	-	-	PN25 (Size 350-550)	28	Yes
600-700	PN10	11	PN16	18	Yes
750-1200	PN10	11	PN16	18	Yes